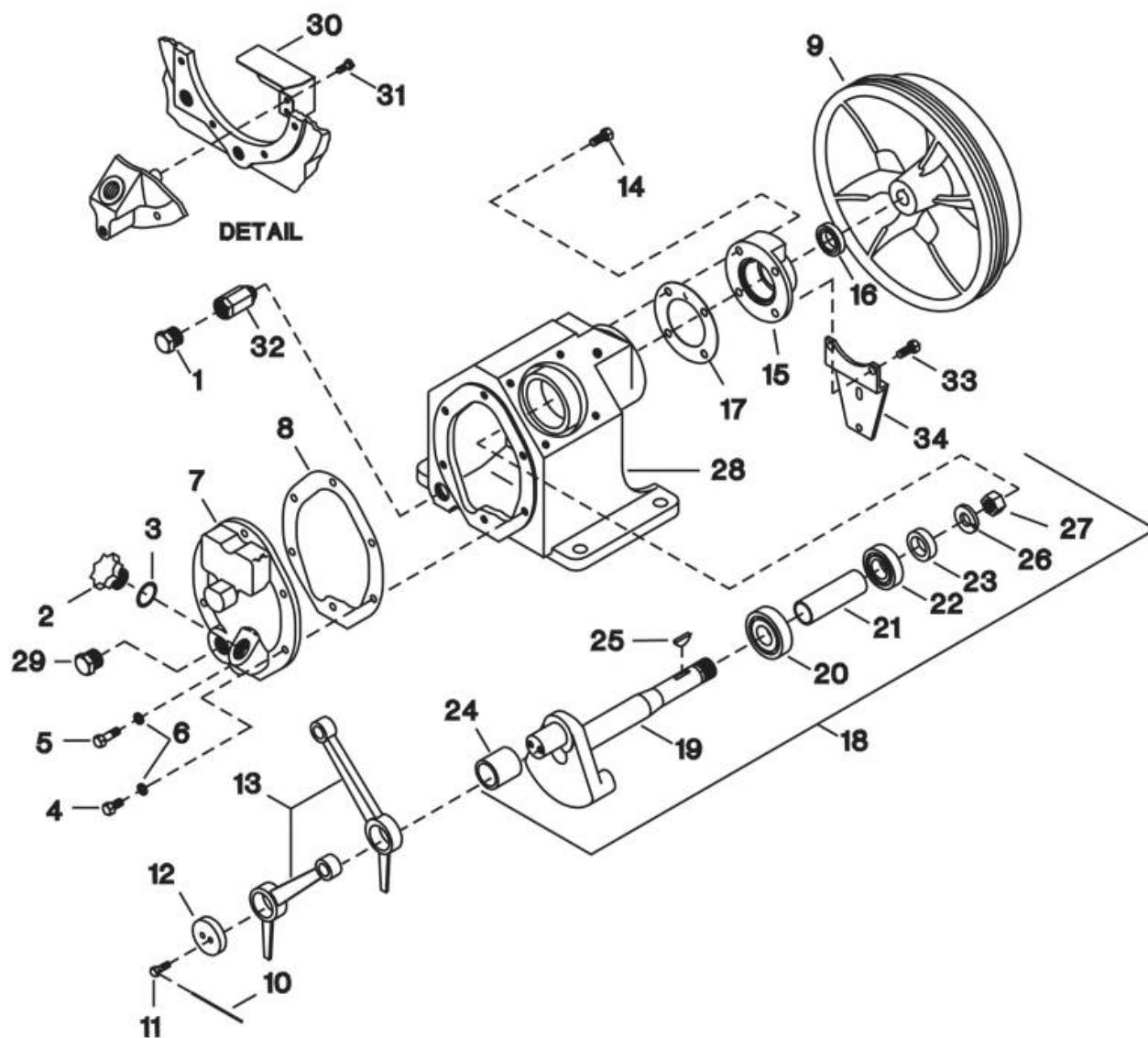


# 1. Compressor Frame Assembly - Model 2340



All manufacturer's names, numbers, photos, product description and/or part numbers are used for reference purposes only & it is not implied that any part listed is the product of these manufacturers. Since Approvement are made from time to time, the illustration and specifications are subject to change without notice.

# 1. Compressor Frame Assembly - Model 2340

REF. NO.	PART NO.	DESCRIPTION	QTY.	SPARES		
				1	2	3
1-1	95033601	PLUG, PIPE - HEX HEAD - 3/8"	1			
1-2	37127065	PLUG, OIL FILLER	1			
1-3	95022158	O-RING	1	1	1	2
1-4	95105243	CAPSCREW, HEX HEAD - 5/16-18x7/8"	5			
1-5	95002978	CAPSCREW, HEX HEAD - 5/16-18x1-1/4"	1			
1-6	95674651	GASKET, COPPER WASHER	6			
1-7	37127123	COVER, FRAME END	1			
1-8	32293680	GASKET, FRAME END COVER	1	1	1	2
1-9	32498974	BELT WHEEL (CLOCKWISE ROTATION WHEN FACING UNIT)	1			
1-9	32293698	BELT WHEEL (COUNTER-CLOCKWISE ROTATION WHEN FACING UNIT)	1			
1-10	90799289	LOCKWIRE, 12 GA - 5"	1			
1-11	30278709	CAPSCREW, LOCK - 1/4-20x3/4"	2			
1-12	30210314	CAP, CRANKPIN	1			
1-13	32004145	ROD, CONNECTING	2		2	2
1-14	95105243	CAPSCREW, HEX - 5/16-18x7/8"	2			
1-15	37127032	COVER, SHAFT END	1			
1-16	32204521	SEAL, OIL	1			
1-17	32293672	GASKET, SHAFT END COVER	1	1	1	2
1-18	32496549	CRANKSHAFT, COMPLETE	1			
1-19	32293821	• ASSY, DISC/SHAFT	1			
1-20	95930400	• BEARING, BALL	1			
1-21	37127016	• SPACER, CRANKSHAFT BEARING	1			
1-22	95951216	• BEARING, BALL - W/SNAP RING	1			
1-23	37127024	• RING, BEARING RETAINER	1			
1-24	30289813	• BUSHING, CRANKPIN	1			
1-25	95433173	• KEY, WOODRUFF	1			
1-26	95081790	• LOCKWASHER - 5/8"	1			
1-27	95076808	• NUT, HEX - 5/8-18	1			
1-28	30222327	FRAME, COMPRESSOR	1			
1-29	95200333	PLUG, PIPE - HEX HEAD - 3/4"	1			
1-30	32270639	BAFFLE, OIL LEVEL (SEE NOTE)	1			
1-31	95053070	CAPSCREW, HEX - 1/4 - 20 X 1/2" (SEE NOTE)	2			
1-32	70235049	ADAPTER, DRAIN EXTENSION (SEE NOTE)	1			
1-33	95105243	CAPSCREW, HEX - 5/16 - 18 X 7/8" (SEE NOTE)	2			
1-34	97331011	BRACKET, INTERCOOLER CLAMP	1			

All manufacturer's names, numbers, photos, product description and/or part numbers are used for reference purposes only & it is not implied that any part listed is the product of these manufacturers. Since Approvement are made from time to time, the illustration and specifications are subject to change without notice.